

Bed Load Sampler

SEDIMENT SAMPLING

General Description

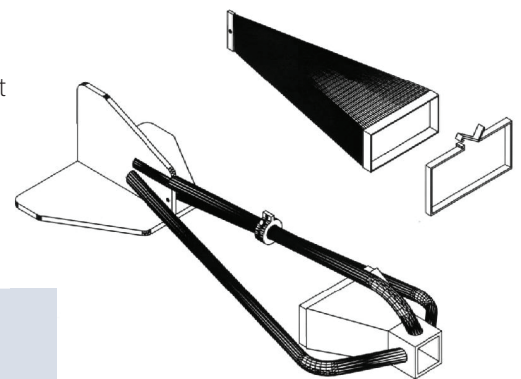
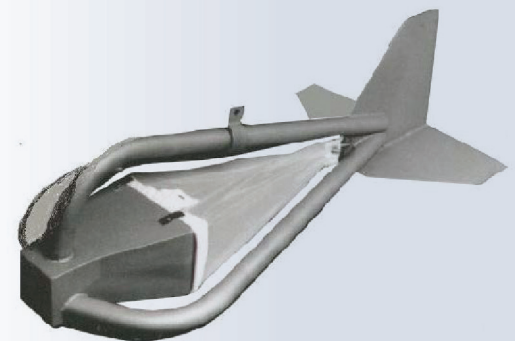
HyQuest Solutions' bed load samplers are designed to **sample sand, silt, gravel or rock debris carried by a stream on or immediately above its bed**. The BLS30 and BLS48 cable-suspended bed load samplers are used in natural streams for carrying **coarse sediments**.

The Columbus pattern torpedo shape used in stream gauging weights has been adopted to reduce drag. The body is all **welded stainless steel** construction, complete, with a tail fin arrangement to provide flow direction orientation and a sliding collar to allow adjustment of balance point based on stream flow condition.

Operation

The sampler is attached to the winch cable connector by the adjustable collar. The collar is set so that the sampler will touch the water tail first to aid with rapid orientation with the streamlines of flow. This type of suspension insures that the sampler orifice will lift up immediately when the unit is raised from the bed to eliminate the loss of sample.

Samples are collected in a **polyester mono filament bag** of 0.2 mesh to A.S.T.M. specifications for uniformity, resistance abrasion and wear. It will not absorb water.



HyQuest Solutions' Sediment Sampling Product Portfolio

You can choose from a vast selection of manually or winch-deployed depth-integrating sediment samplers, bedload samplers, rising stage samplers, and their accessories. HyQuest Solutions samplers are based on designs developed by the United States Federal Inter-Agency Sedimentation Project. Please contact us for advice!

Technical Specifications

Type	Pressure-difference, cable-suspended bed load sampler
Weight	<ul style="list-style-type: none">■ Model BLS30: 30 kg (65 lb)■ Model BLS48: 48 kg (106 lb)
Orifice Size	<ul style="list-style-type: none">■ 76 mm x 76 mm (3" x 3")■ 1.4 Expansion
Scope of Delivery	<ul style="list-style-type: none">■ Sampler■ Sample bag (see below)■ Manual available online from hyquestsolutions.com

Accessories



Sample Bag SB-01: Polyester mono filament bag of 0.2 mm mesh, will not absorb water, conforms

to A.S.T.M. specifications for uniformity, resistance abrasion and wear



Winches (WS500, WS400, WS250) and Winch Board (SAN22SS):

HyQuest Solutions' stream gauging winches are hand-operated single drum winches capable of handling Columbus gauging weights up to 45 kg using a winch board (e.g. SAN22SS) or bridge crane (e.g. 3WBC or 4WBC). The winches are designed for ease of operation and service ability in the field: compact, portable, light-weight, and handled easily and safely by one person.



Bridge Cranes 4WBC and 3WBC: HyQuest Solutions' bridge cranes are collapsible units for discharge measurement or for sediment sampling from bridges. The cranes are made from structural aluminium and stainless steel. The bridge cranes are simple to put up and fold down into a compact sized package for

transport. Models:

- 4WBC: 4 wheels, used for weights and sediment samplers up to 70 kg
- 3WBC: 3 wheels, light-weight, used for weights and sediment samplers up to 45 kg

Please ask for details.

Reseller

Contact Us

HyQuest Solutions Australia

☎ +61 2 9601 2022
✉ sales@hyquestsolutions.com.au
🌐 www.hyquestsolutions.com

HyQuest Solutions Europe

📍 Pascalstr. 8+10 | 52076 Aachen - Germany
☎ +49 2408 9385 0
✉ info@hyquestsolutions.eu
🌐 www.hyquestsolutions.eu

HyQuest Solutions New Zealand

☎ +64 (0)7 857 0810
✉ sales@hyquestsolutions.co.nz
🌐 www.hyquestsolutions.com

